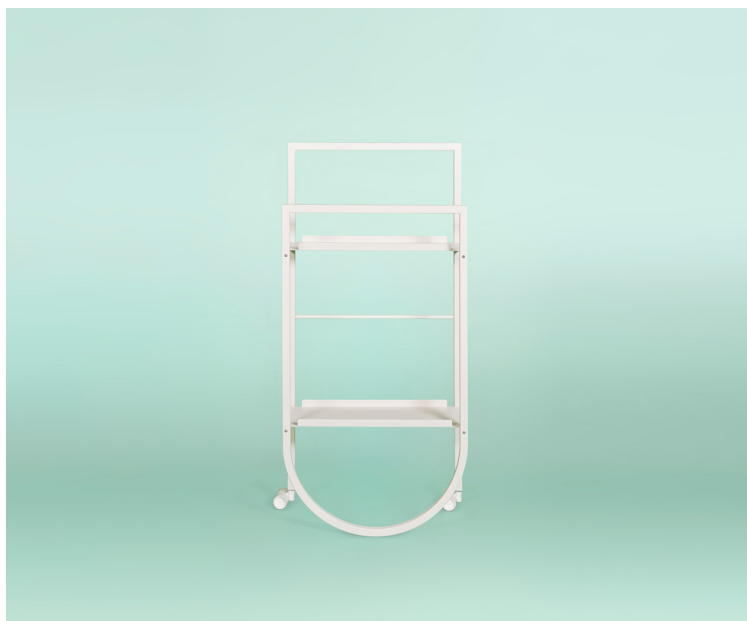


giacopini

BRIGHT METAL OBJECTS

JJ

Design by Michele Giacopini



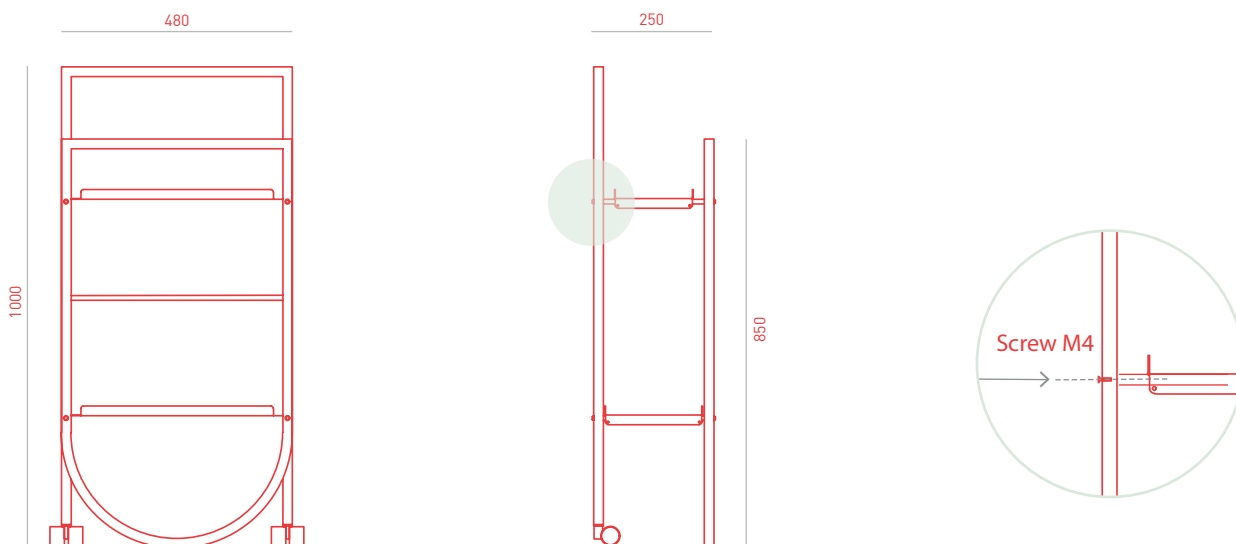
MATERIALS

Metal powder coated, plastic wheels.

CARE

Use a soft, dry or wet rag. If needed use neutral soap.
Do not use abrasive sponges as they may leave scratches.

Unit of measure = millimeters



white
mint
melon
fuxia
gray
sand